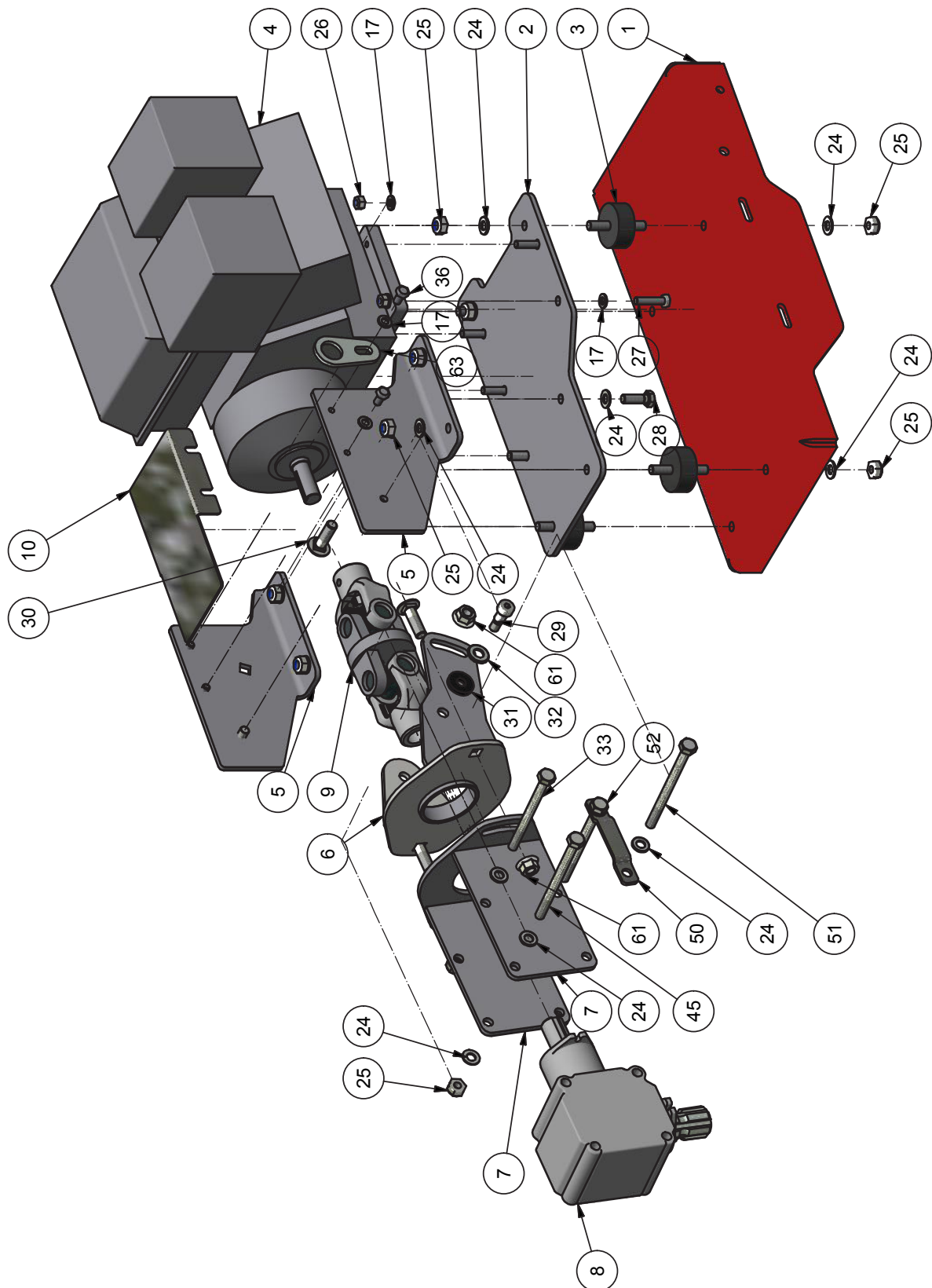


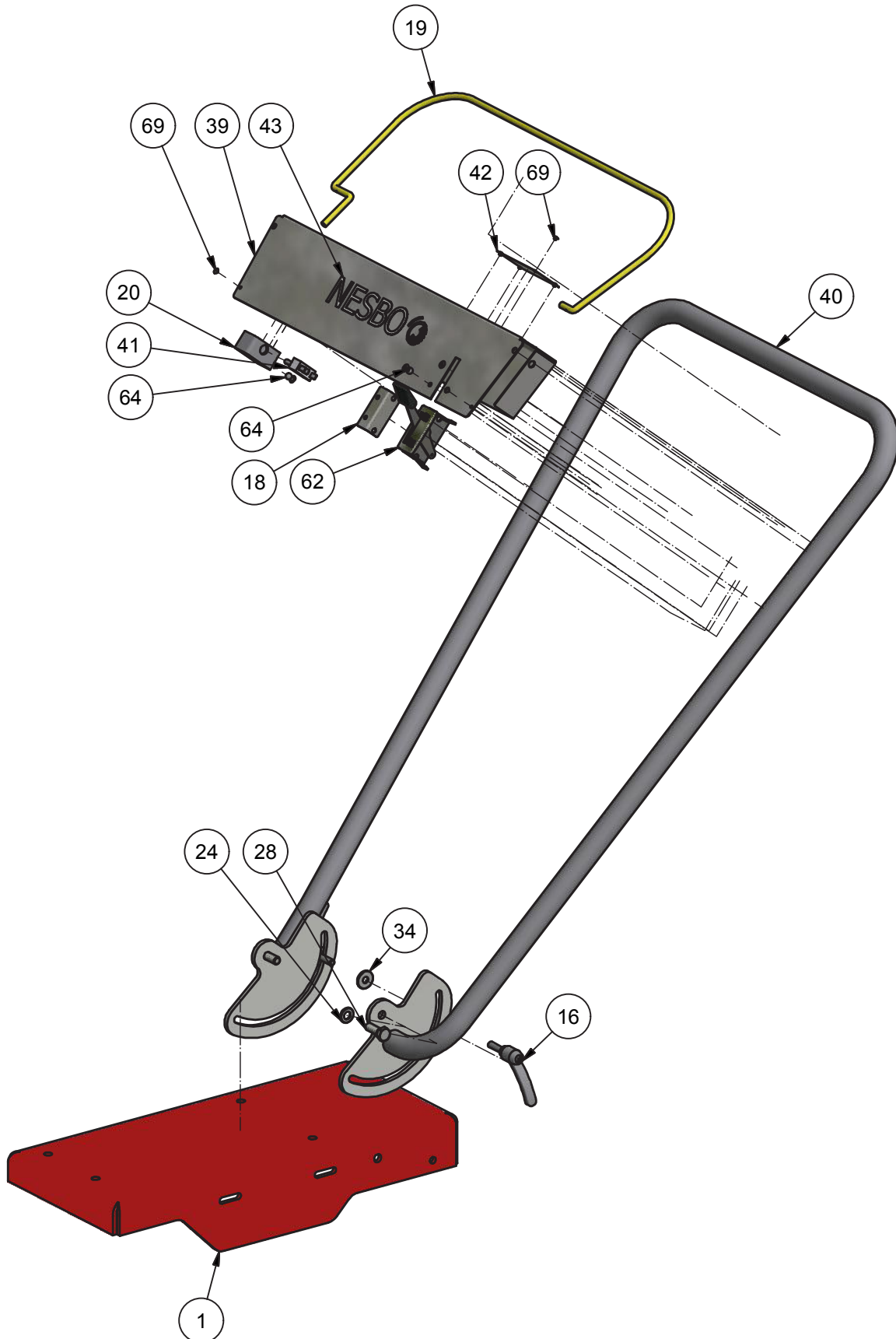
## Weed brush type UK 125

Model 2017 - Basic machine



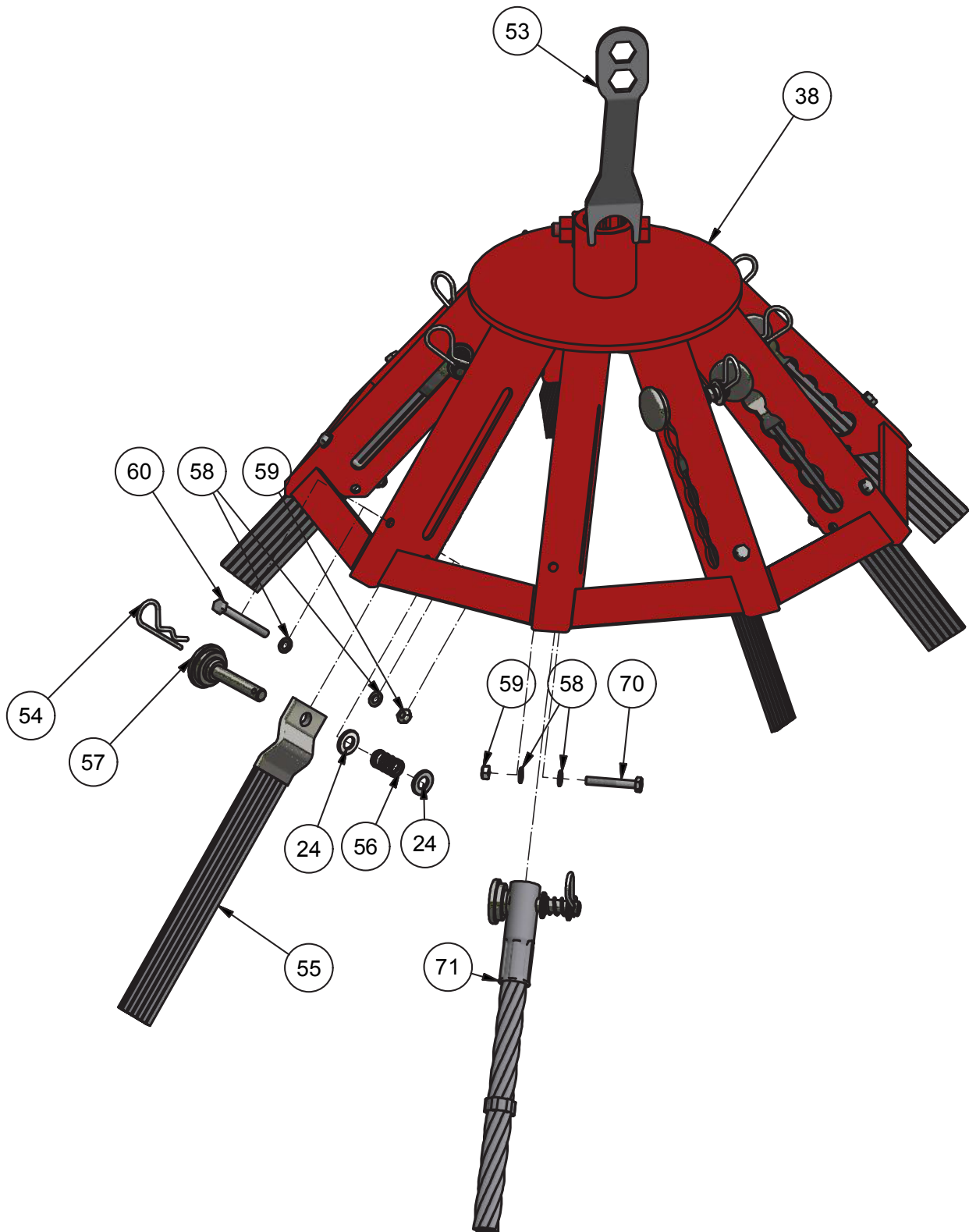
## Weed brush type UK 125

Model 2017 - Operating handle



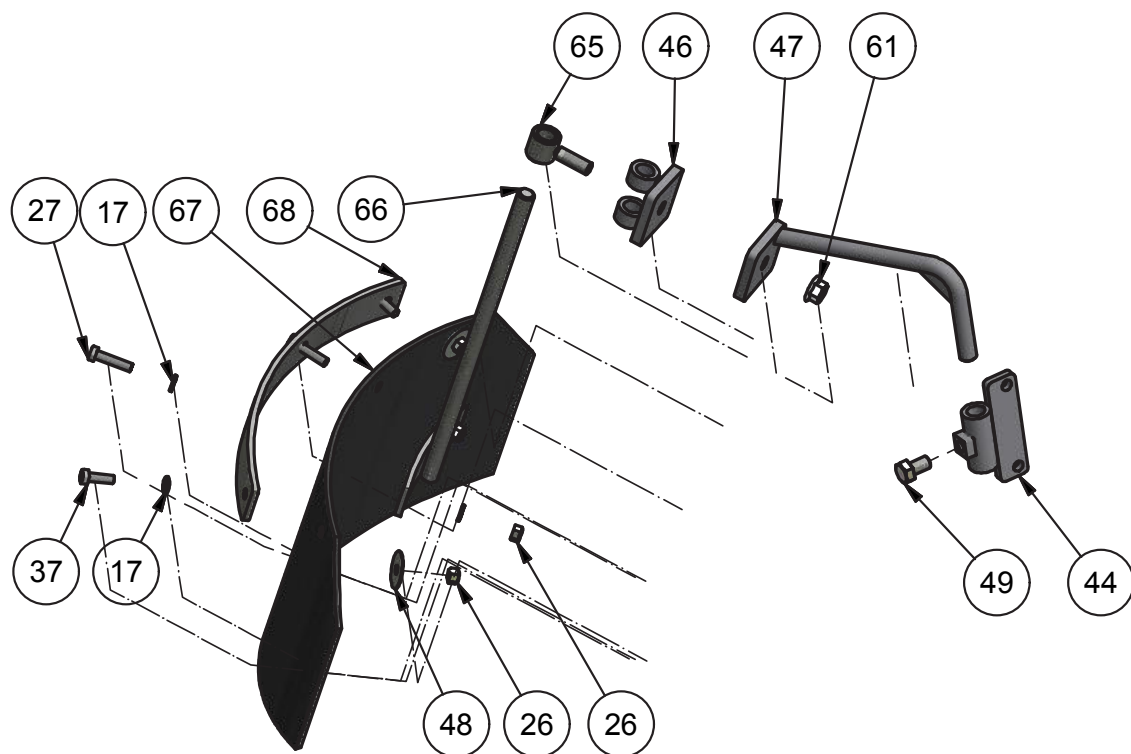
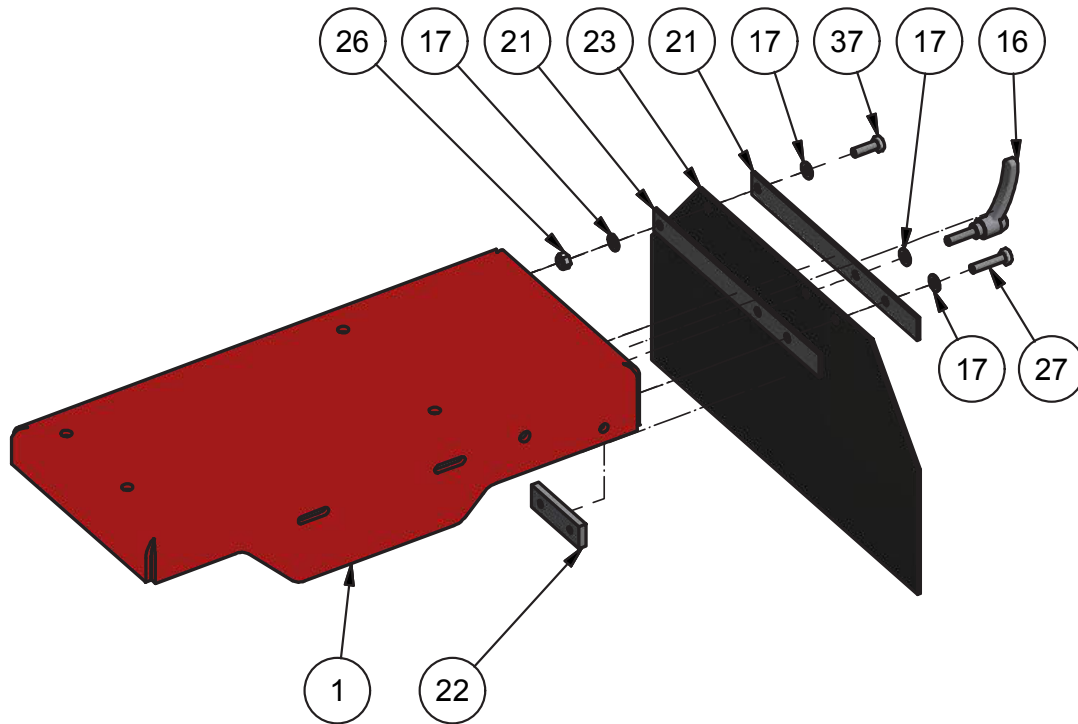
## Weed brush type UK 125

Model 2017 - Brush cone



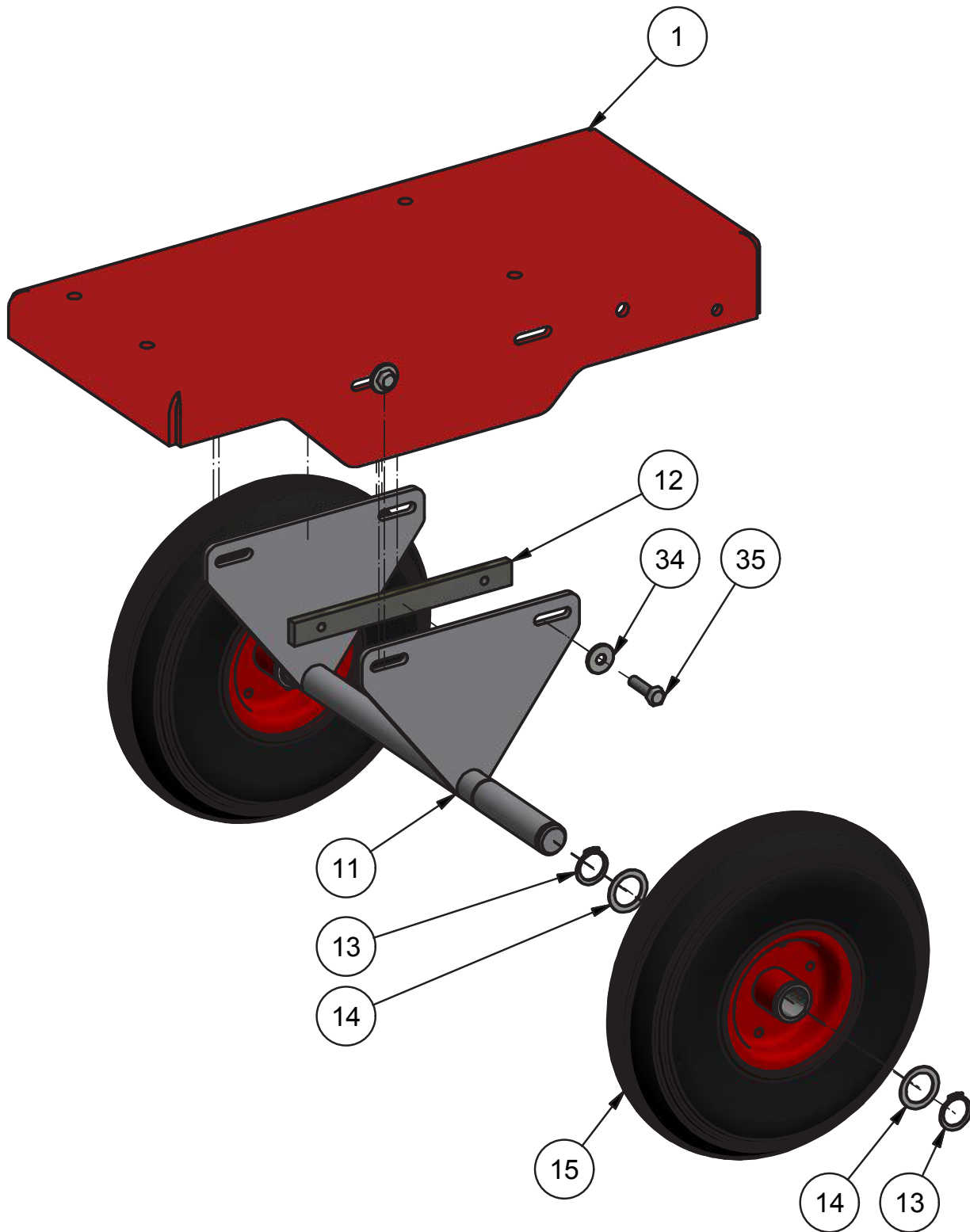
## Weed brush type UK 125

Model 2017 - Brush shield



## Weed brush type UK 125

Model 2017 - Wheel assembly



# Nesbo weed brush type UK 125

## Model 2017

Item	Description	Qty	Part no.	Comment
1	Machine bracket	1	540-125-217	
2	Motor bracket	1	540-125-201	
3	Vibration damper	4	G5130202	Ø50 M10
4	Motor	1	GBS-0831520141B1	
5	Side plate on motor bracket	2	540-125-504	
6	Tilting bracket	1	540-125-203	
7	Tilting bracket for gears	1	540-125-204	
8	Angular gear	1	S1018278R210	
9	Double universal joint	1	G84-605-785	
10	Cover for universal joint	1	540-125-520	
11	Wheel axle	1	540-125-205	
12	Thread plate for wheel axle	2	540-125-517	
13	Locking ring	4	320-001-025	
14	Shim ring	4	336-925-010	
15	Wheel - complete	2	G19-010-124	
16	Clamp lever M8	3	780-050-023	
17	Bevel-edge washer	23	336-300-008	
18	Throttle bracket	1	540-125-507	
19	Loop for UK 125	1	540-125-508	
20	Switch bracket	1	704-600-567	
21	Plate for rubber shield	2	540-125-527	
22	Thread plate for rubber shield	1	540-125-528	
23	Rubber shield	1	540-125-529	
24	Bevel-edge washer	40	336-300-010	
25	Locking nut	14	31-101-010	
26	Locking nut	9	31-101-008	
27	Set screw	7	329-108-035	
28	Set screw	4	329-110-030	
29	Centre bolt	2	332-410-016	
30	Carriage bolt	3	330-112-040	
31	Fibre washer	2	G84-605-005	
32	Bevel-edge washer	2	336-300-012	
33	Machine bolt	1	328-110-125	
34	Bevel-edge washer Ø24 / 8x2	6	336-224-008	
35	Set screw	4	329-108-030	
36	Set screw	4	329-108-016	

# Nesbo weed brush type UK 125

## Model 2017

Item	Description	Qty	Part no.	Comment
37	Set screw	3	329-108-025	
38	Brush head	1	540-125-209	
39	Operator panel	1	540-125-534	
40	Handle - welded	1	540-125-218	
41	Switch	1	399-400-127	
42	Type plate	1	Machine plate	Specify machine no.
43	Logo	1	399-400-082	
44	Hinge 1 for rubber shield	1	540-125-212	
45	Machine bolt	1	328-110-135	
46	Hinge 2 for rubber shield	1	540-125-213	
47	Swivel arm for rubber shield	1	540-125-214	
48	Shield washer	2	336-200-008	
49	Set screw	1	329-112-020	
50	Tool bracket	1	540-125-560	
51	Machine bolt	1	328-110-140	
52	Machine bolt	1	328-110-130	
53	Key for brushes	1	G77-512-201	
54	Hairpin	9	338-203-070	
55	Ribbed brush	9	G84-605-705	Standard brush
56	Compression spring	9	G12450	
57	Locking pin for brush head	9	540-125-547	
58	Bevel-edge washer	18	336-300-006	
59	Locking nut	9	331-101-006	
60	Machine bolt	9	328-106-060	For ribbed brush
61	Flange nut	4	331-601-012	
62	Gas regulator	1	308-200-318	
63	Lifting eye	1	801-120-535	
64	Blind rivets	4	338-405-010	
65	Locking bracket	1	540-125-216	
66	Stay bolt for rubber shield	1	540-125-215	
67	Rubber plate for front shield	1	540-125-559	
68	Bracket for rubber shield	1	540-125-558	
69	Blind rivets	8	950-4-5	
70	Machine bolt	9	328-106-040	For wire brush
71	Wire brush	9	353-200-319	Special brush