



Original User manual

NESBO Weed grater MR - LB / L3 / S

Registration of Use	3
EC declaration of conformity	5
General information	6
Introduction / Management.....	8
Adjustment / Daily use.....	9
Storage	14
Maintenance	15
Labelling	16
Customer services and claims.....	17



Nesbo a/s produces high quality machines for professional users.
The warranty period on our machines is 12 months from the date of purchase and covers compensation in the event of material and production faults.
Any parts that have suffered damage as a result of material and production faults will be replaced by Nesbo a/s at no charge.
Consequential damage and wearing parts will not be replaced.

PLEASE NOTE!

To maintain warranty, the Dealer is obliged to fill in and return the "Registration for use" below to Nesbo a/s, not later than one month after delivery to the end user.

A condition for any processing of claims is that this "Registration for use" is submitted timely.

This can be done on our website www.nesbo.dk

or by completing and scanning/submitting the coupon below to:

Nesbo a/s
Daniavej 31
9550 Mariager
Denmark
nesbo@nesbo.dk

Registration for use:

Machine number	<input type="text"/>
Model	<input type="text"/>
Delivery date	<input type="text"/>
End user	<input type="text"/>
Address	<input type="text"/>
Dealer	<input type="text"/>

EC declaration of conformity

Manufacturer: Nesbo a/s
Daniavej 31, DK-9550 Mariager, Denmark
Telefon: +45 9858 4400

hereby declares that

machine: Nesbo
machine no.: _____
date: _____

is in conformity with the applicable requirements of:

Order of 10 June 2013 implementing Directive 2006/42/EC of the European Parliament and of the Council as amended, as well as the EMC Directive 2004/108/EC as amended.

Standards applied:

DS/EN ISO 12100:2 011 Safety of machinery - General principles for design
- Risk assessment and risk reduction.

Signature: 
Peter Thomsen
Factory Manager

**Nesbo Weed grater, type
MR - LB / L3 / S**

Congratulations! You are now the owner of a Nesbo Weed grater!



Before first use

Read the user manual carefully before beginning to use the machine.

If in doubt, contact the dealer.

Use only original Nesbo spare parts for your Weed grater. Original Nesbo spare parts can be ordered from your dealer or direct from Nesbo a/s.

Safety warnings

The following safety warnings are used in the user manual:



WARNING

Risk of personal injury or death

A technical procedure or similar which may be hazardous and result in personal injury or death



NB

Important information

A very important technical procedure or similar.

Never allow

- Untrained individuals or children to use the machine.
- People to go within the defined work area of the machine.
- Regulation or adjustment of the machine while it is moving.

Always ensure that

- Bolts and nuts are tightened. The machine is checked after 15 hours of operation, and regularly after that.
- You are familiar with how the Weed grater operates.
- There are no children, assistants and others within the machine's working area during operation.
- Applicable legislation is observed where the machine is used.

A Nesbo Weed grater is a machine for attachment to a 3-point tractor hitch or as a towed model for an implement carrier and compact tractor. The machine rakes, hoes and levels the soil surface, and must not be used for other purposes. The machine is exclusively suitable for level and firm ground.

Should you wish to use the machine anywhere else, contact Nesbo a/s.

Pulling or pushing the Nesbo Weed grater or moving it over short distances is easiest in the transport position, see page 12.



NB

Important information

If it is necessary to lift the machine, extreme care must be taken. If the MR - LB / L3 / S is lifted manually, there must always be two adults to do the lifting.

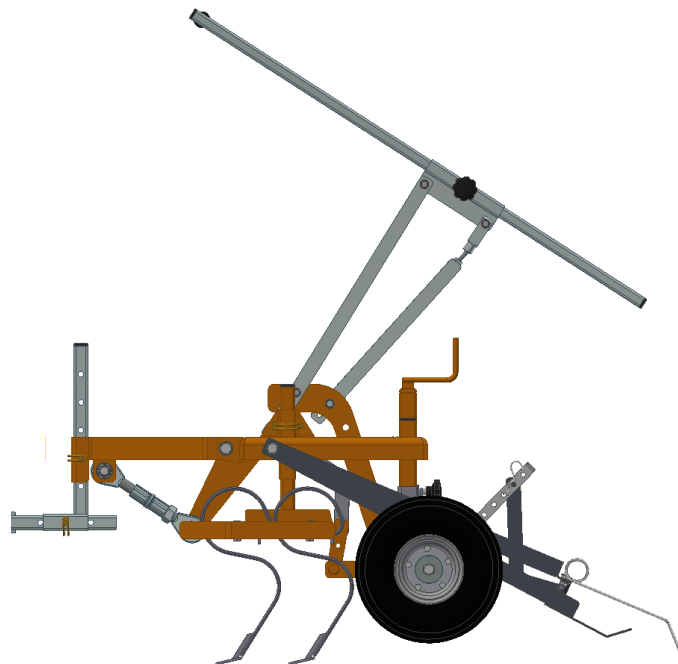
Work position

MR – LB

Adjust the coupling to fit the trailer hitch on the vehicle. To do this, remove the two split pins in the adjustment tube and replace the split pins to fit in a horizontal position opposite the hitch.

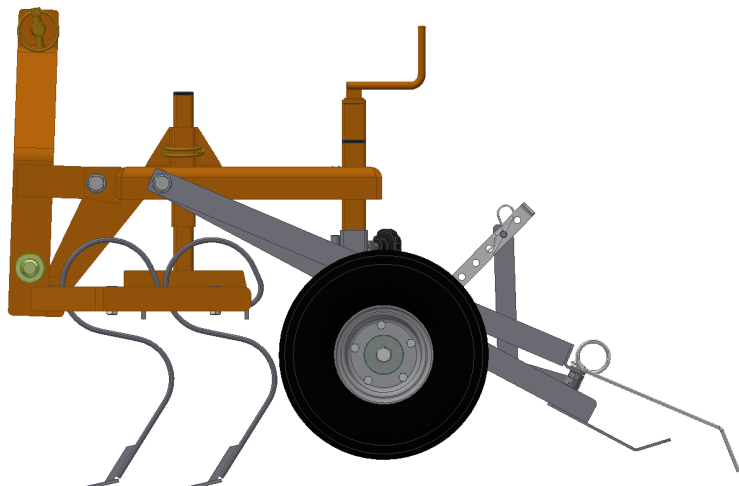
MR – L3/S

Place the implement in a horizontal position with the help of the lifting arms on the vehicle and the top link.



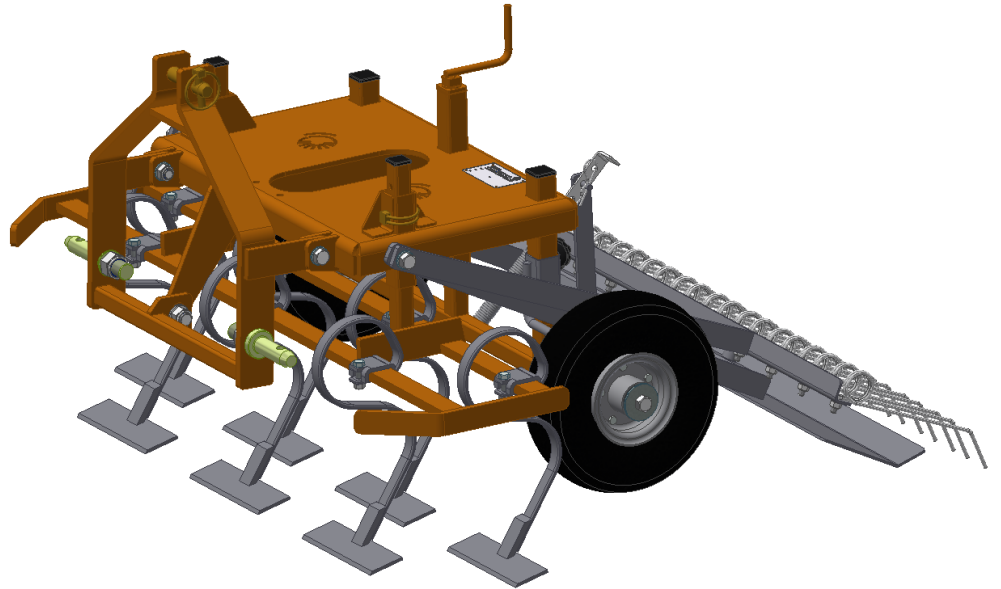
Height adjustment

Place the implement on level ground.
Make sure there is a gap of at least 1.5 cm under the wheels.



MR – LB

Turn the handle on the upper side of the Weed grater (beside the type plate) until the machine is standing horizontally. Make sure that the wheels do not touch the ground; there must still be a gap of 1.5 cm between the wheels and the ground.



MR – L3/S

Adjust the position of the Weed grater by regulating the top link on the tractor until the implement is standing in a horizontal position. Make sure that the wheels do not touch the ground; there must still be a gap of 1.5 cm between the wheels and the ground.



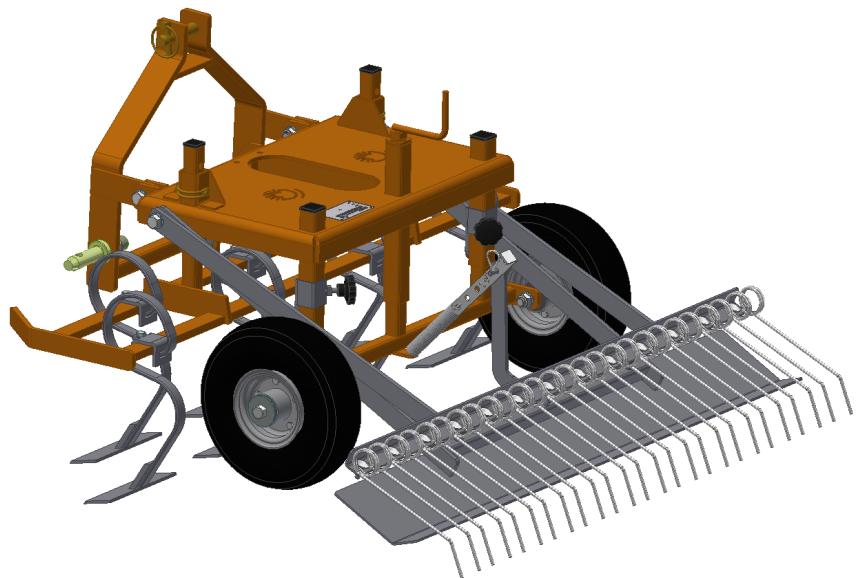
NB

Important information

The arms from the levelling board and the rake section must not rest on the spacer bracket, as this will give uneven results.

Adjusting the levelling board pressure:

To do this, adjust the position of the split pin in the row of holes. The tighter the spring, the greater the pressure from the levelling board on the ground.



Starting

MR – LB

Push the handle backwards so that the rake and levelling board are lowered into the working position, and the implement is ready for use.



MR – L3/S

Use the lifting arms of the tractor to lower the rake and levelling board, and the implement is ready for use.



NB

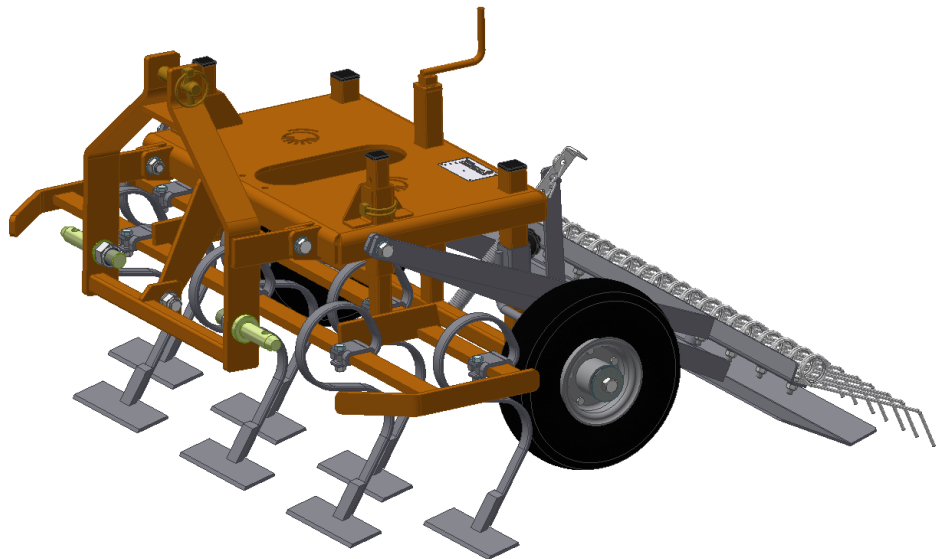
Important information

When starting the implement, make sure that it is still in a horizontal position and that the levelling board and rake are not resting on the spacer bracket.

Transport position

MR – LB

Pull in the handle to free the rake and levelling board from the gravel. The implement will now run on the wheels.



MR – L3/S

Lift the implement, using the lifting arms on the tractor.

Electric lifting: 12 / 24V

Connect the plug to the electric socket on the tractor.



WARNING

Risk of personal injury or death

Never touch the levelling board, hoes or rake teeth while the Weed grater is in motion.

Lighting and visibility

Only use the machine in daylight or in areas where there is lighting and good visibility.

Operating terrain

The Weed grater is intended for flat and firm areas.

Fire risk

Sparks may be struck while working beside a hard surface, such as paving stones. Note that dry vegetation may catch fire from the sparks.

Stones slung out

Note that stones and other hard materials may be slung out by the machine.



WARNING

Risk of personal injury or death

Stones slung out

Stones or other hard materials may be slung out at high speed, and can hit and injure people standing or passing nearby.



At the end of the season, clean the Weed grater and remove weeds, soil and the like. To prevent rusting, wipe the moving parts (but not the motor) with oil.

Store the machine in a place with low air humidity and shelter it from rain and snow.

Tightening

Tighten bolts and nuts after the first 5 hours of use, and then after every 15 hours of operation.

Maintenance and replacements

Rake teeth

Levelling board

Hoes

When the teeth of the rake are worn, they must be replaced. We recommend always replacing all teeth for the sake of stability and a good end result.

The same applies to the hoes.

When replacing the rake teeth, loosen the nut at the back of the rake teeth with a 13 mm spanner.

When replacing the hoes, loosen the bolts with two spanners.

Spare parts can be ordered according to the spare parts list. Remember always to state the model type and machine number.



WARNING

Risk of personal injury or death

Before replacing the rake teeth or other parts, lift the Weed grater free of the vehicle, so that the machine does not move.

Type plate

The machine is equipped with a type plate with an engraved machine number. The first two digits of the machine number indicate the year of manufacture. The machine number is unique to the particular machine, and Nesbo a/s will always be able to refer back to that machine if the number is quoted.

This plate also states the weight of the machine in kg and its power requirement in kW.



CE labelling

The label indicates that the machine complies with the EC Machinery Directive, the year of manufacture and the manufacturer's website.

Customer services and claims

GB

Service

It is the dealer's responsibility to deliver the machine (and assemble if required), to start it on delivery or first use, and to instruct the operator about the use and maintenance of the machine (including tightening nuts and bolts).

The dealer is also obliged to make sure that the user manual and spare parts list is delivered to the customer and that the registration for use is completed correctly and sent to Nesbo a/s no later than 1 month after delivery to the user. (See page 3)

Claims

The warranty period on Nesbo is 12 months from the purchase date, and covers any material or manufacturing defects. These parts will be replaced by Nesbo a/s free of charge. Consequential damage and wear and tear will not be replaced.

Any components which are not manufactured by Nesbo a/s are included under the terms of the warranty to the extent authorised by the supplier of the parts in question.

Nesbo a/s reserves the right to assign a claim of this kind to the relevant supplier and not to reach a decision until the relevant supplier has responded.

The following must be observed when working on a claim:

- report the claim to Nesbo before the repair is started
- agree a time period with Nesbo for qualified technicians to carry out the repair
- any labour costs will only be approved at a fixed net price.

If Nesbo a/s has not authorised repair work in advance, any invoice submitted for repair work will not be approved.

At Nesbo a/s' request, before the claim can finally be handled, any parts that were replaced must be sent carriage paid to the factory.

Nesbo a/s retains the exclusive right to determine the extent to which a part shall be replaced or repaired.

Customer services and claims

GB

The warranty does not cover:

- normal wear and tear or damage which has resulted from inadequate maintenance.
- damage caused by collision.
- non-compliance with the product's technical specifications or if the product is used for a purpose other than that described in the ser manual.

If the product is altered or if non-original spare parts are used, all rights under the warranty will be rendered void.

The purchaser does not have the right to require that design changes on future models are implemented in a pre-existing machine.

In the event of a complaint

Complaints must be registered directly with Nesbo a/s. Complete a complaint report, stating the machine type, production number and date of its delivery to the customer, and send it to us. This is done via the dealer login on our website www.nesbo.dk.

If questions arise about claims on imported machines, we reserve the right to present the claim to the manufacturer before making any decision about whether the claim can be accepted.

Our machinery is subject to the EC Machinery Directive and quality assured within the European Union. We make every effort to comply with these requirements and do our utmost to supply high quality machinery.

Mariager, 01.06.2017
Nesbo a/s



Copyright, Nesbo a/s ©
Daniavej 31
DK-9550 Mariager
www.nesbo.dk

